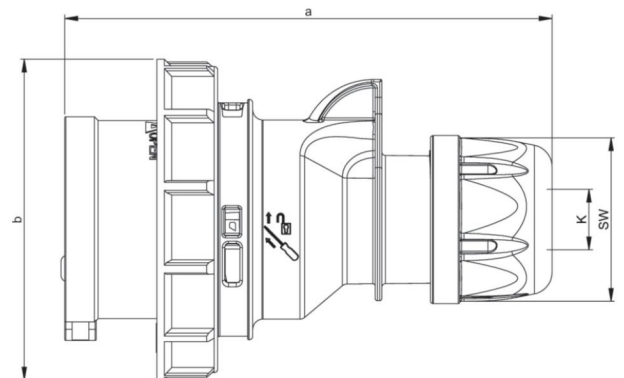


article#	<b>0132-9v</b>
article description	<b>CEE-plug 16A 3p 9h IP67 SHARK</b>
description long	CEE-plug 16A 3p 9h IP67 SHARK housing material: PA6 rated current: 16A number of poles: 3 (2P+PE) clock-position: 9h rated voltage/frequency: 380-415V~ / 50+60Hz contacts: brass nickel plated connection technology: screw terminals IP protection class: IP66/IP67
GTIN (EAN)	9003399070044
country of origin	AT
customs number	85366990
net weight	0.130 kg
packaging quantity	10
minimum order quantity	10

ETIM 10.0	EC000140
IEC-amperage	16 A
Number of poles	3
Voltage according to EN 60309-2	380-415 V (50+60 Hz) red
Clock hour position	9 h
Identification colour	Red
Degree of protection (IP)	IP67
Connection system	Screwed terminal
Cable entry	Gland nut
Suitable for cable diameter	6 – 15 mm
Angle of plug	Straight
Material	Plastic
Contact material	CuZn
Surface treatment contacts	Nickel-plated

a	122 mm
b	71 mm
K (cable Ø)	6-15 mm
SW	42 mm
wire flexible	1-2,5 mm <sup>2</sup>
contact screws	100 Ncm
strain relief	500 Ncm
dismantling length	50 mm
stripping length	10-12 mm
ambient temperature	-25 – 40 °C
temperature resistance	-25 – 80 °C
IK-code *)	IK10



<https://www.pcelectric.at/shop/en/?func=detail&artnr=0132-9v>



\*) The IK-test is not part of the IEC 60309 standard for industrial plugs and socket-outlets or the IEC 60884 standard for household plugs and socket-outlets. PC Electric GmbH has therefore tested the IK-codes of these products in accordance with IEC 62262 and according to the test method of IEC 60068-2-75 Ehc, with conditioning for 48 hours at 40°C and a relative humidity of 95%.