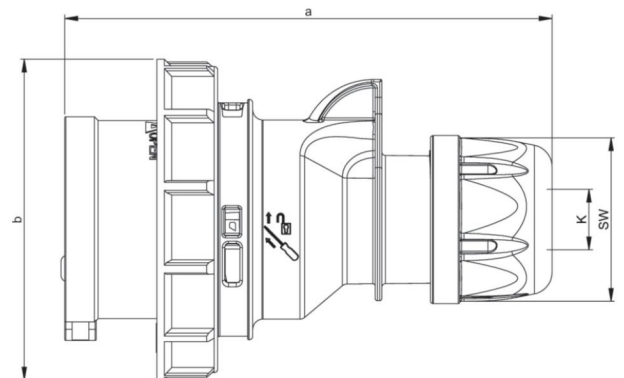


article#	0232-4tt
article description	CEE-plug 32A 3p 4h IP67 TT SHARK
description long	CEE-plug 32A 3p 4h IP67 TT SHARK housing material: PA6 rated current: 32A number of poles: 3 (2P+PE) clock-position: 4h rated voltage/frequency: 100-130V~ / 50+60Hz contacts: brass connection technology: screwless terminals (TT) IP protection class: IP66/IP67
GTIN (EAN)	9003399495571
country of origin	AT
customs number	85366990
net weight	0.227 kg
packaging quantity	10
minimum order quantity	10

ETIM 10.0	EC000140
IEC-amperage	32 A
Number of poles	3
Voltage according to EN 60309-2	110 V (50+60 Hz) yellow
Clock hour position	4 h
Identification colour	Yellow
Degree of protection (IP)	IP67
Connection system	Screw less terminal
Cable entry	Gland nut
Suitable for cable diameter	11.5 – 20 mm
Angle of plug	Straight
Material	Plastic
Contact material	CuZn
Surface treatment contacts	Untreated

a	150 mm
b	93 mm
K (cable Ø)	11,5-20 mm
SW	50 mm
wire flexible	2,5-6 mm ²
strain relief	600 Ncm
dismantling length	50 mm
stripping length	12-14 mm
ambient temperature	-25 – 40 °C
temperature resistance	-25 – 80 °C



<https://www.pcelectric.at/shop/en/?func=detail&artnr=0232-4tt>