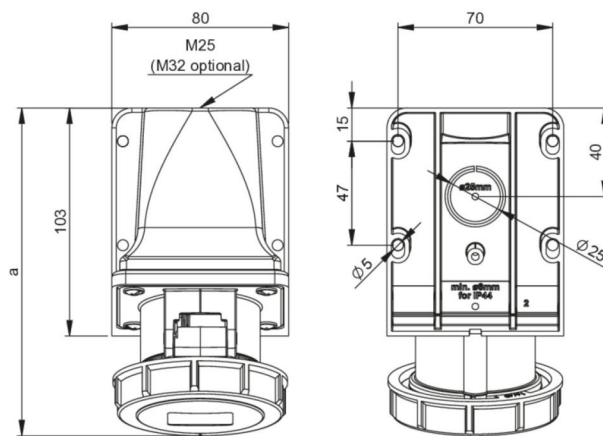


article#	<b>1232-6</b>
article description	<b>CEE-wall mounted socket 32A 3p 6h IP67</b>
description long	CEE-wall mounted socket 32A 3p 6h IP67 housing material: PA6 rated current: 32A number of poles: 3 (2P+PE) clock-position: 6h rated voltage/frequency: 200-250V~ / 50+60Hz contacts: brass connection technology: screw terminals cable entry: top and rear incl. threaded cable gland IP protection class: IP67
GTIN (EAN)	9003399145544
country of origin	AT
customs number	85366990
net weight	0.298 kg
packaging quantity	5
minimum order quantity	5

ETIM 9.0	EC001321
Model	Surface mounted
IEC-amperage	32 A
Number of poles	3
Voltage according to EN 60309-2	230 V (50+60 Hz) blue
Clock hour position	6 h
Identification colour	Blue
Degree of protection (IP)	IP67
Connection system	Screwed terminal
Cable entry	Gland nut
Material	Plastic
Contact material	CuZn
Surface treatment contacts	Untreated
Type of fastening	External mounting

a	161 mm
b	108 mm
wire flexible	2,5-6 mm <sup>2</sup>
wire solid	2,5-10 mm <sup>2</sup>
contact screws	110 Ncm
connecting screws	110 Ncm
dismantling length	50 mm
stripping length	12-14 mm
ambient temperature	-25 – 40 °C
temperature resistance	-25 – 80 °C
IK-code *)	IK09



b=Höhe/height  
Neigung/angle=15°



<https://www.pcelectric.at/shop/en/?func=detail&artnr=1232-6>



\*) The IK-test is not part of the IEC 60309 standard for industrial plugs and socket-outlets or the IEC 60884 standard for household plugs and socket-outlets. PC Electric GmbH has therefore tested the IK-codes of these products in accordance with IEC 62262 and according to the test method of IEC 60068-2-75 Ehc, with conditioning for 48 hours at 40°C and a relative humidity of 95%.