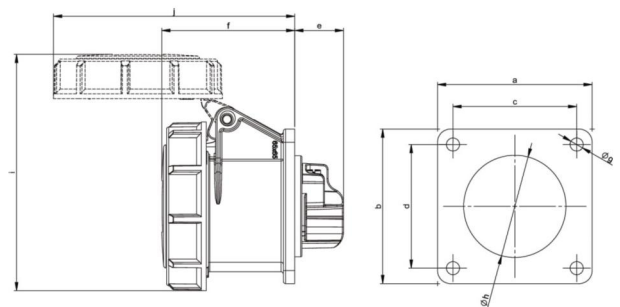


PCE data sheet

article#	3132-2f0v
article description	CEE-flanged socket straight (65x65mm) 16A 3p 2h IP67
description long	CEE-flanged socket straight (65x65mm) 16A 3p 2h IP67 housing material: PA6 rated current: 16A number of poles: 3 (2P+PE) clock-position: 2h rated voltage/frequency: >50V~ / 300-500Hz contacts: brass nickel plated connection technology: screw terminals dimensions (flange/fixing center): 65x65 mm / 52x52 mm IP protection class: IP67
country of origin	AT
customs number	85366990

ETIM 7.0	EC001317
IEC-amperage	16 A
Voltage acc. EN 60309-2	50-500 V (>300-500 Hz) green
Number of poles	3
Clock hour position	2
Identification colour	Green
Degree of protection (IP)	IP67
Connection system	Screwed terminal
Angle of plug	Straight
Material	Plastic
Contact material	CuZn
Surface finish contacts	Nickel-plated
Flange size vertical	65 mm
Drill hole distance vertical	52 mm
Flange size horizontal	65 mm
Drill hole distance horizontal	52 mm

wire flexible	1-2,5 mm ²
wire solid	1-4 mm ²
contact screws	100 Ncm
dismantling length	50 mm
stripping length	10-12 mm



www.manufacturer-safety.info