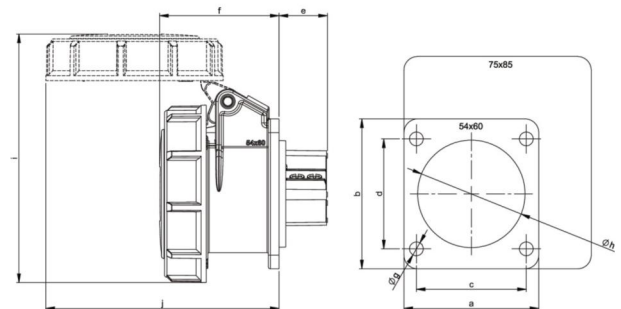


PCE data sheet

article#	3822-12f87v
article description	CEE-flanged socket straight 75x85mm 16A 2p 42VAC 50/60Hz IP66/IP67 TWIST
description long	CEE-flanged socket straight 75x85mm 16A 2p 42VAC 50/60Hz IP66/IP67 TWIST housing material: PA6 rated current: 16A number of poles: 2 (2P) clock-position: 12h rated voltage/frequency: 42V~ / 50+60Hz contacts: brass nickel plated connection technology: screw terminals dimensions (flange/fixing center): 75x85 mm / 60x60 mm IP protection class: IP66/IP67
GTIN (EAN)	9003399346941
country of origin	AT
customs number	85366990
net weight	0.137 kg
packaging quantity	10
minimum order quantity	10

ETIM 7.0	EC001317
IEC-amperage	16 A
Voltage acc. EN 60309-2	40-50 V (50+60 Hz) white
Number of poles	2
Clock hour position	12 h
Identification colour	White
Degree of protection (IP)	IP67
Connection system	Schraubklemme
Angle of plug	Straight
Material	Plastic
Flange size vertical	85 mm
Drill hole distance vertical	60 mm
Flange size horizontal	75 mm
Drill hole distance horizontal	60 mm

wire flexible	1-10 mm ²
wire solid	1,5-10 mm ²
contact screws	160 Ncm
dismantling length	70 mm
stripping length	14-16 mm



www.manufacturer-safety.info