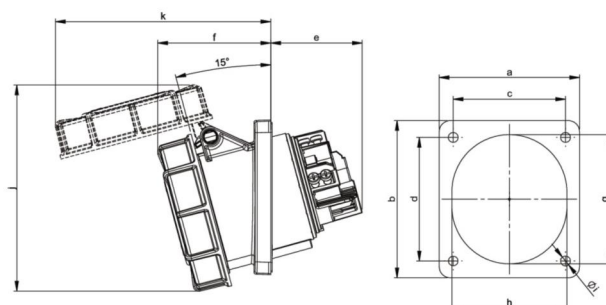


PCE data sheet

article#	4345-6
article description	CEE-flanged socket sloping (100x112) 63A 4p 6h IP67 Pilot POWER TWIST
description long	CEE-flanged socket sloping (100x112) 63A 4p 6h IP67 Pilot POWER TWIST housing material: PA6 rated current: 63A number of poles: 4 (3P+PE) clock-position: 6h rated voltage/frequency: 380-415V~ / 50+60Hz contacts: brass, with lamellar spring (CuBe) connection technology: frame terminals with screws dimensions (flange/fixing center): 100x112 mm / 80x88 mm with pilot contact sleeve IP protection class: IP66/IP67
GTIN (EAN)	9003399020544
country of origin	AT
customs number	85366990
net weight	0.622 kg
packaging quantity	2



ETIM 7.0	EC001317
IEC-amperage	63 A
Voltage acc. EN 60309-2	400 V (50+60 Hz) red
Number of poles	4
Clock hour position	6 h
Identification colour	Red
Degree of protection (IP)	IP67
Connection system	Screwed terminal
Angle of plug	Angled
Material	Plastic
Contact material	CuZn
Surface finish contacts	Untreated
Flange size vertical	112 mm
Drill hole distance vertical	88 mm
Flange size horizontal	100 mm
Drill hole distance horizontal	80 mm



wire flexible	6-16 mm ²
wire solid	6-25 mm ²
contact screws	200 Ncm
dismantling length	100 mm
stripping length	15-18 mm



www.manufacturer-safety.info