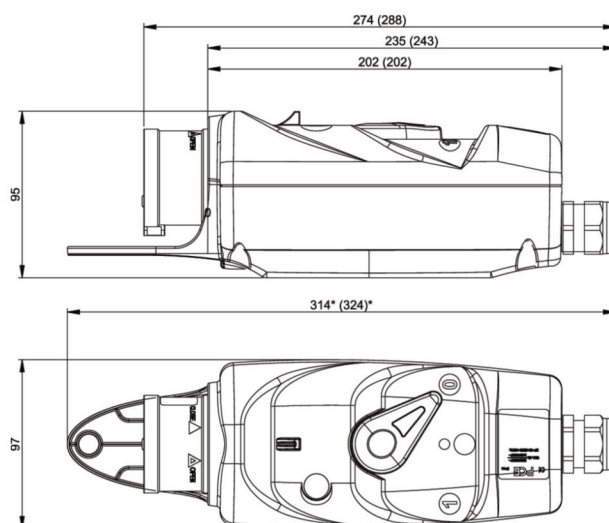


PCE data sheet

article#	530245301
article description	CEE-plug with switch (ON-OFF) +BA 32A 4p 6h IP44 with holder
description long	CEE-plug with switch (ON-OFF) +BA 32A 4p 6h IP44 with holder housing material: PC/ABS rated current: 32A number of poles: 4 (3P+PE) clock-position: 6h rated voltage/frequency: 380-415V~ / 50+60Hz contacts: brass nickel plated connection technology: screw terminals rotary lever (AC22A 10kA) ON/OFF, with operating display cable gland: M25 with latch holder IP protection class: IP44
country of origin	AT
customs number	85366990

ETIM 7.0	EC000452
Type of control element	Rotary toggle
Phase inverter	False
Phase sequence monitoring	False
Colour plug	Red
Colour housing	Grey
Rated voltage	400 V
Rated permanent current Iu	32 A



www.manufacturer-safety.info