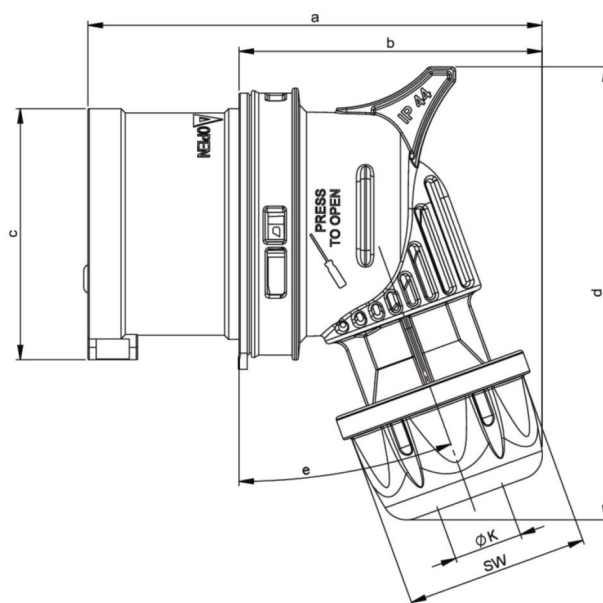


PCE data sheet

article#	8013-6
article description	CEE angled plug 16A 3p 6h IP44 TWIST
description long	CEE angled plug 16A 3p 6h IP44 TWIST housing material: PA6 rated current: 16A number of poles: 3 (2P+PE) clock-position: 6h rated voltage/frequency: 200-250V~ / 50+60Hz contacts: brass connection technology: screw terminals IP protection class: IP44
GTIN (EAN)	9003399705106
country of origin	AT
customs number	85366990
net weight	0.107 kg
packaging quantity	10
minimum order quantity	10

ETIM 8.0	EC000140
IEC-amperage	16 A
Number of poles	3
Voltage acc. EN 60309-2	230 V (50+60 Hz) blue
Clock hour position	6 h
Identification colour	Blue
Degree of protection (IP)	IP44
Connection system	Screwed terminal
Cable entry	Swivel
Angle of plug	Angled
Material	Plastic
Contact material	CuZn
Surface treatment contacts	Untreated

a	96 mm
b	60 mm
c	47 mm
d	88 mm
e	15 °
K (cable Ø)	6-15 mm
SW	38 mm
wire flexible	1-2,5 mm ²
contact screws	100 Ncm
strain relief	500 Ncm
dismantling length	50 mm
stripping length	10-12 mm



<https://www.pcelectric.at/shop/en/?func=detail&artnr=8013-6>



www.manufacturer-safety.info