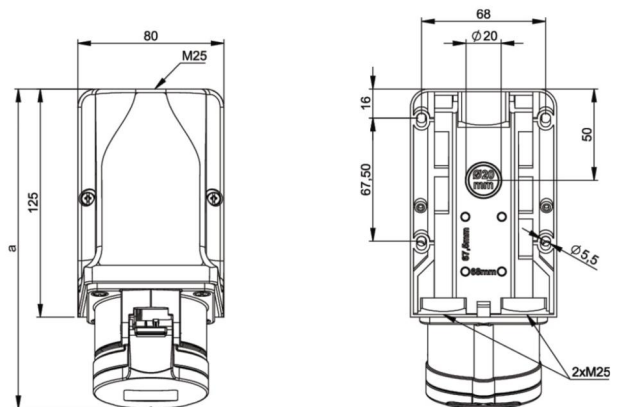


PCE data sheet

article#	913-10w
article description	CEE-wall mounted socket wiring through 16A 3p 10h IP44
description long	CEE-wall mounted socket wiring through 16A3p 10h IP44 housing material: PA6 rated current: 16A number of poles: 3 (2P+PE) clock-position: 10h rated voltage/frequency: >50V~ / 100-300Hz contacts: brass connection technology: screw terminals cable entry: top, 2x bottom, rear inc. threaded cable grommet housing for wiring through incl. terminals (3p) not wired IP protection class: IP44
GTIN (EAN)	9003399441493
country of origin	AT
customs number	85366990
net weight	0.315 kg
packaging quantity	5

ETIM 7.0	EC001321
Model	Surface mounted (plaster)
IEC-amperage	16 A
Number of poles	3
Voltage acc. EN 60309-2	50-500 V (100-300 Hz) green
Clock hour position	10 h
Identification colour	Green
RAL-number	
Degree of protection (IP)	IP44
Connection system	Screwed terminal
Cable entry	Swivel
Material	Plastic
Contact material	CuZn
Surface finish contacts	Untreated
Type of fastening	Inner lying mounting

wire flexible	1-2,5 mm ²
wire solid	1-4 mm ²
contact screws	100 Ncm
dismantling length	50 mm
stripping length	10-12 mm



b=Höhe/height
Neigung/angle=15°



www.manufacturer-safety.info