

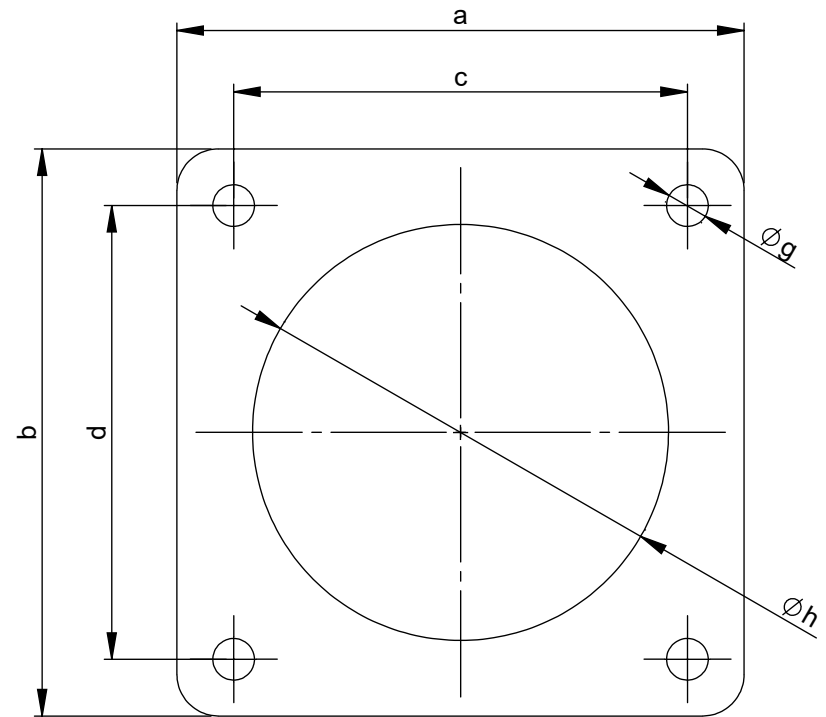
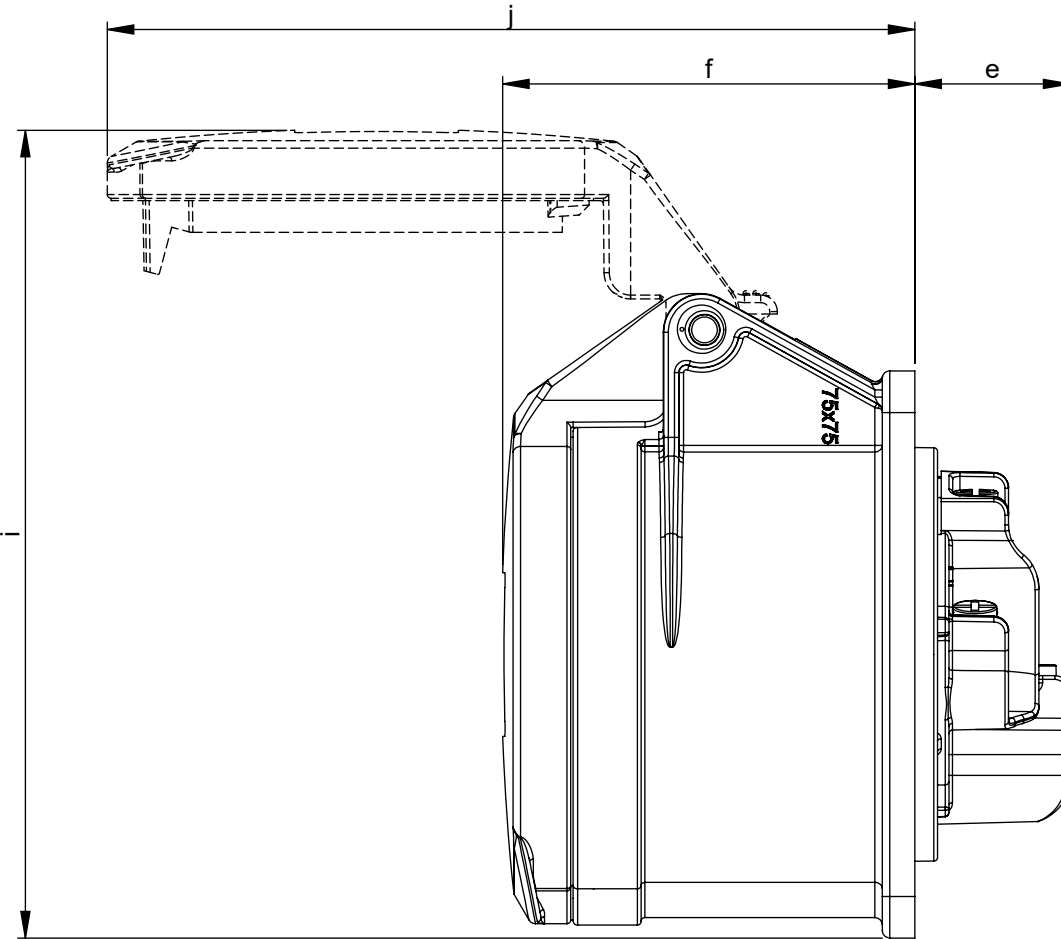
Maßskizze / dimensional drawing

Benennung: Anbausteckdose gerade IP44 75x75 UL

description: Flanged socket straight IP44 75x75 UL

Teilenummer / part number: 3139-*f7, 3149-*f7, 3159-*f7, 3239-*f7, 3249-*f7, 3259-*f7,

PCE



Ampere	20			30		
	2P3W (3p)	3P4W (4p)	4P5W (5p)	2P3W (3p)	3P4W (4p)	4P5W (5p)
a x b [mm] / [inch]	75 / 2.95					
c x d [mm] / [inch]	60 / 2.36					
e [mm] / [inch]	21 / 0.83	21 / 0.83	21 / 0.83	23 / 0.91	23 / 0.91	23 / 0.91
f [mm] / [inch]	55 / 2.17	55 / 2.17	55 / 2.17	67 / 2.64	67 / 2.64	67 / 2.64
g [mm] / [inch]	5.5 / 0.22					
h [mm] / [inch]	43 / 1.69	45 / 1.77	55 / 2.17	55 / 2.17	55 / 2.17	58 / 2.28
i [mm] / [inch]	89 / 3.50	104 / 4.09	107 / 4.21	112 / 4.41	112 / 4.41	108 / 4.25
j [mm] / [inch]	101 / 3.98	101 / 3.98	107 / 4.21	122 / 4.80	122 / 4.80	136 / 5.35