

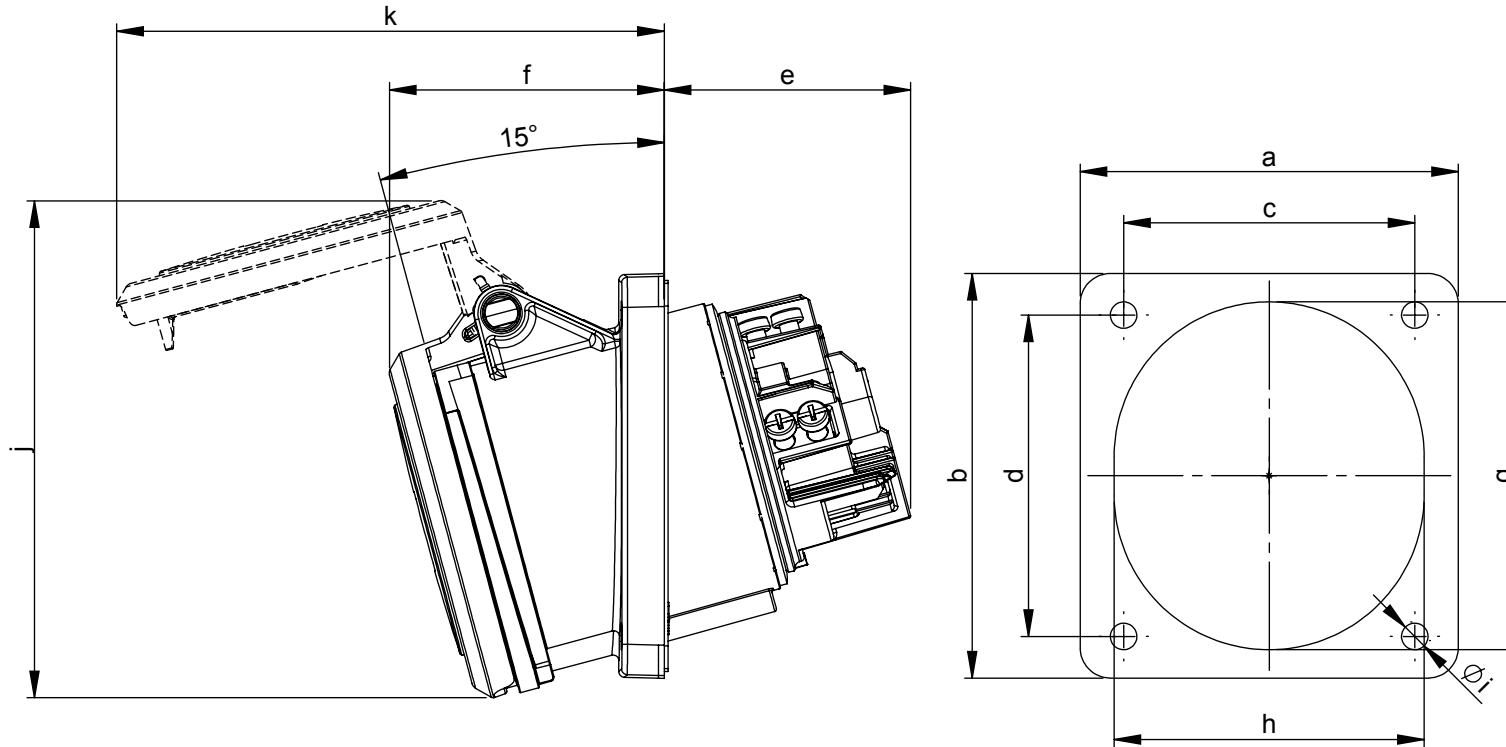
Maßskizze / dimensional drawing

Benennung: Anbausteckdose schräg 63A IP44 100x107 POWERWIST

description: Flanged socket sloping 63A IP44 100x107 POWERWIST

Teilenummer / part number: 4331-*fc, 4341-*fc, 4351-*fc

PCE



Ampere	63		
Pole	3	4	5
a [mm]	100	100	100
b [mm]	107	107	107
c [mm]	77	77	77
d [mm]	85	85	85
e [mm]	64	64	64
f [mm]	74	74	74
g [mm]	92	92	92
h [mm]	82	82	82
i [mm]	7	7	7
j [mm]	132	132	132
k [mm]	146	146	146