

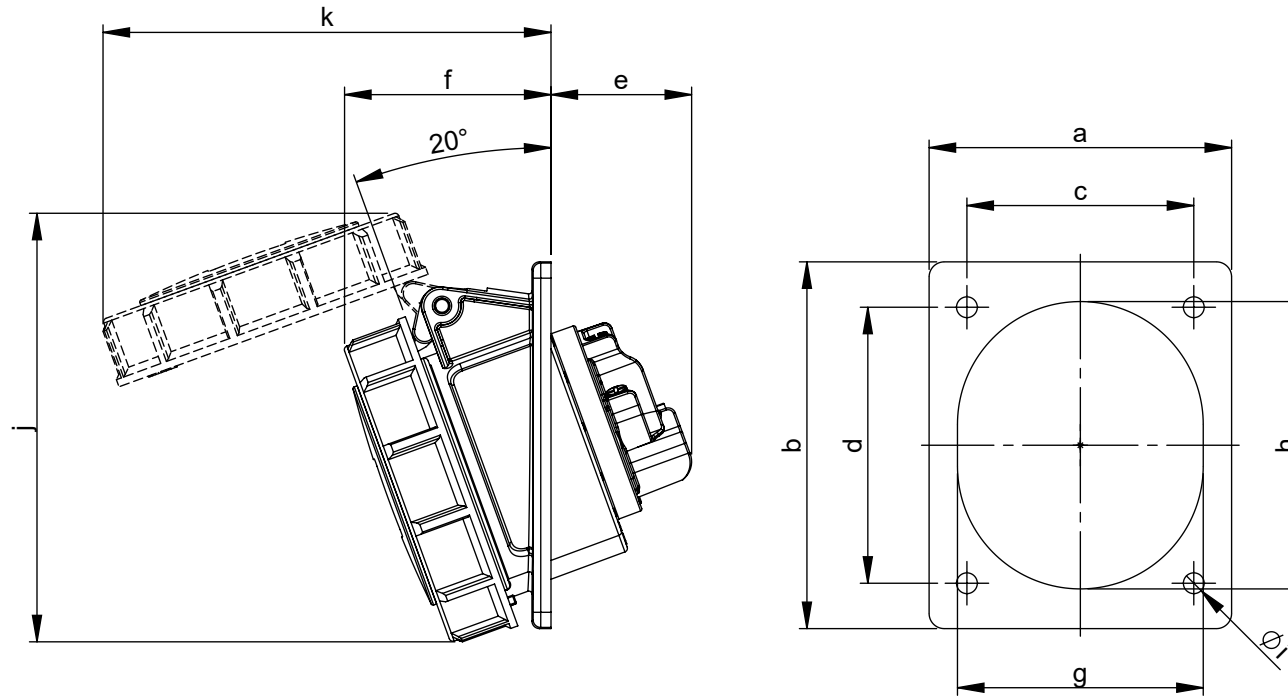
## Maßskizze / dimensional sketch

Benennung: Anbausteckdose schräg IP67 80x97 UL

description: Flanged socket sloping IP67 80x97 UL

Teilenummer / part number: 41392-\*f8, 41492-\*f8, 41592-\*f78, 42392-\*f78, 42492-\*f78, 42592-\*f78

PCE



Ampere	20			30		
Poles	2P3W (3p)	3P4W (4p)	4P5W (5p)	2P3W (3p)	3P4W (4p)	4P5W (5p)
a [mm] / [inch]	80 / 3.15					
b [mm] / [inch]	97 / 3.82					
c [mm] / [inch]	60 / 2.36					
d [mm] / [inch]	73 / 2.87					
e [mm] / [inch]	38 / 1.49	38 / 1.49	38 / 1.49	48 / 1.89	48 / 1.89	48 / 1.89
f [mm] / [inch]	50 / 1.97	52 / 2.05	55 / 2.17	59 / 2.32	59 / 2.32	61 / 2.40
g [mm] / [inch]	51 / 2.01	56 / 2.20	65 / 2.56	65 / 2.56	65 / 2.56	70 / 2.76
h [mm] / [inch]	61 / 2.40	67 / 2.64	76 / 3.00	75 / 2.95	75 / 2.95	84 / 3.31
i [mm] / [inch]	5.5 / 0.22					
j [mm] / [inch]	102 / 4.02	106 / 4.17	114 / 4.49	120 / 4.72	120 / 4.72	127 / 5.00
k [mm] / [inch]	103 / 4.06	110 / 4.33	119 / 4.69	127 / 5.00	127 / 5.00	133 / 5.24