

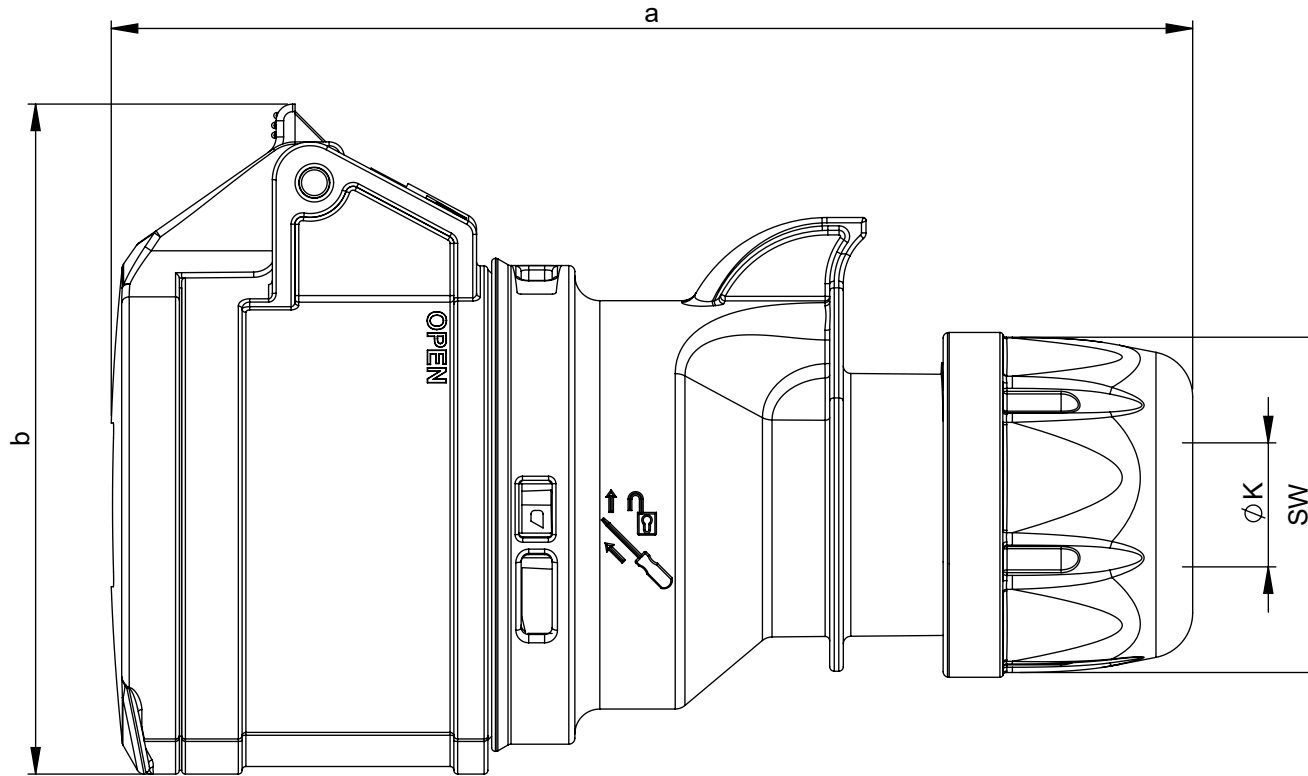
Maßskizze / dimensional drawing

Benennung: Kupplung IP44 SHARK UL

description: Connector IP44 SHARK UL

Teilenummer / part number: 2139-*, 2149-*, 2159-*, 2239-*, 2249-*, 2259-*

PCE



Ampere	20			30		
Poles	2P3W (3p)	3P4W (4p)	4P5W (5p)	2P3W (3p)	3P4W (4p)	4P5W (5p)
a [mm] / [inch]	133 / 5.24	138 / 5.43	145 / 5.71	161 / 6.34	161 / 6.34	168 / 6.61
b [mm] / [inch]	74 / 2.91	82 / 3.23	89 / 3.50	94 / 3.70	94 / 3.70	99 / 3.90
K [mm] / [inch]	9-15 / 0.35-0.59	9-15 / 0.35-0.59	9-16 / 0.35-0.63	13.3-19.3 / 0.52-0.76	13.3-19.3 / 0.52-0.76	13.3-19.3 / 0.52-0.76
SW [mm] / [inch]	42 / 1.65	42 / 1.65	42 / 1.65	50 / 1.97	50 / 1.97	50 / 1.97