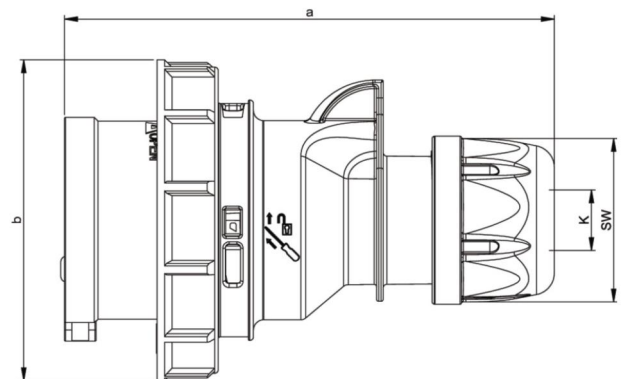


PCE data sheet

article#	02392-5
article description	CEE-plug 30A 2P3W 5h IP67 UL
description long	CEE-plug 30A 2P3W 5h IP67 UL (PCE330P5W) housing material: PA6 rated current: 30A number of poles: 2P3W (3p) clock position: 5h rated voltage: 277Vac contacts: brass connection technology: screw terminals IP protection class: IP67
GTIN (EAN)	9003399188121
country of origin	AT
customs number	85366990
net weight	0.223 kg
packaging quantity	10

ETIM 7.0	EC000140
IEC-amperage	
Amperage acc. UL/CSA (for UL-version)	30 A
Number of poles	3
Clock hour position	5 h
Identification colour	Grey
Degree of protection (IP)	IP67
Connection system	Screwed terminal
Cable entry	Swivel
Angle of plug	Straight
Material	Plastic
Contact material	CuZn
Surface treatment contacts	Untreated

a	150 mm
b	93 mm
K (cable Ø)	13,3-19,3 mm
SW	50 mm
wire flexible	2,5-6 mm ²
contact screws	110 Ncm
strain relief	700 Ncm
dismantling length	50 mm
stripping length	12-14 mm



www.manufacturer-safety.info