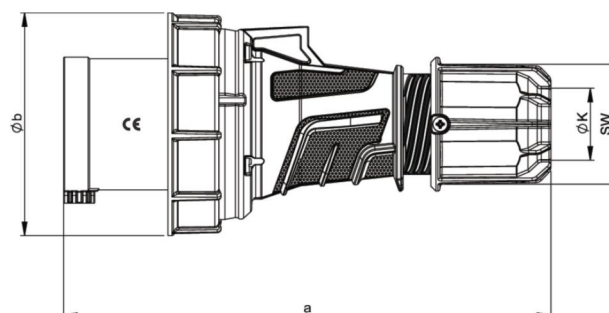


PCE data sheet

| | |
|------------------------|---|
| article# | 035-2 |
| article description | CEE-plug 63A 5p 2h IP67 POWER TWIST |
| description long | CEE-plug 63A 5p 2h IP67 POWER TWIST housing material: PA6 rated current: 63A number of poles: 5 (3P+N+PE) clock-position: 2h rated voltage/frequency: >50V~ / 300-500Hz contacts: brass nickel plated, with pilot pin connection technology: frame terminals with screws IP protection class: IP66/IP67 |
| GTIN (EAN) | 9003399046612 |
| country of origin | AT |
| customs number | 85366990 |
| packaging quantity | 2 |
| minimum order quantity | 2 |

| | |
|----------------------------|------------------------------|
| ETIM 7.0 | EC000140 |
| IEC-amperage | 63 A |
| Number of poles | 5 |
| Voltage acc. EN 60309-2 | 50-500 V (>300-500 Hz) green |
| Clock hour position | 2 h |
| Identification colour | Green |
| RAL-number | 7046 |
| Degree of protection (IP) | IP67 |
| Connection system | Screwed terminal |
| Cable entry | Swivel |
| Angle of plug | Straight |
| Material | Plastic |
| Contact material | CuZn |
| Surface treatment contacts | Nickel-plated |

| | |
|--------------------|----------------------|
| a | 250 mm |
| b | 115 mm |
| K (cable Ø) | 14,5-36 mm |
| SW | 61 mm |
| wire flexible | 6-16 mm ² |
| contact screws | 200 Ncm |
| strain relief | 1500 Ncm |
| dismantling length | 100 mm |
| stripping length | 15-18 mm |


www.manufacturer-safety.info