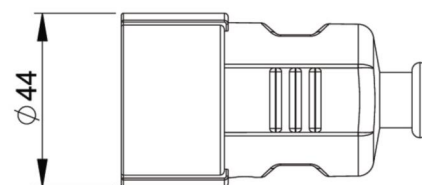
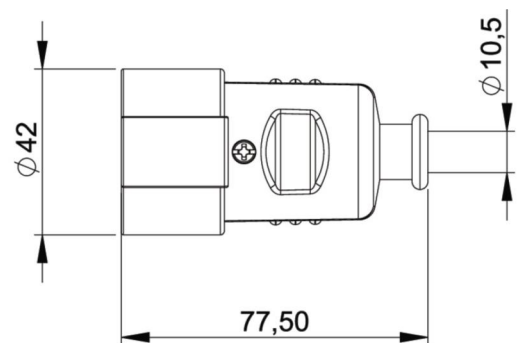


## PCE data sheet

|                        |  |
|------------------------|--|
| article#               | <b>08253</b>   |
| article description    | <b>safety connector PP fb central black IP20</b>   |
| description long       | safety connector PP fb central black IP20<br>housing material: polypropylen (PP)<br>cable entry: central<br>housing color: black<br>earthing system: French/Belgian standard<br>250V 16A 2P+E<br>protection rating: IP20 |
| GTIN (EAN)             | 9003399632860  |
| country of origin      | DE   |
| customs number         | 85366990   |
| net weight             | 0.030 kg   |
| packaging quantity     | 25   |
| minimum order quantity | 25   |

|   |                  |
|---|------------------|
| ETIM 7.0                                      | EC001327         |
| Model   | Earthing pin     |
| Material                                      | Plastic          |
| Material quality                              | Thermoplastic    |
| For heavy conditions (in accordance with VDE) | False            |
| Degree of protection (IP)                     | IP20             |
| Angle of plug                                 | Straight         |
| Connection system                             | Screwed terminal |
| Suitable for protective contact pin           | True             |
| Colour  | Black            |
| Number of poles                               | 3                |
| Nominal voltage                               | 250 V            |
| Nominal current                               | 16 A             |

|                    |                          |
|--------------------|--------------------------|
| K (cable Ø)        | max. 10,4 mm             |
| wire flexible      | 0,75-2,5 mm <sup>2</sup> |
| contact screws     | 40 Ncm                   |
| strain relief      | 50 Ncm                   |
| dismantling length | 40-45 mm                 |
| stripping length   | 7 mm                     |



[www.manufacturer-safety.info](http://www.manufacturer-safety.info)