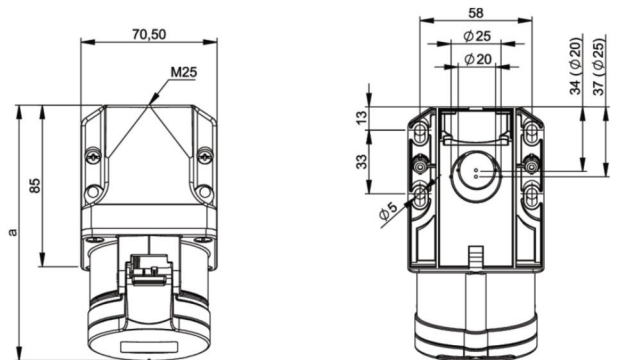


# PCE data sheet

|                     |   |
|---------------------|---|
| article#            | <b>123-2kv</b>  |
| article description | <b>CEE wall mounted socket (compact) 32A 3p 2h IP44</b>   |
| description long    | CEE wall mounted socket (compact) 32A 3p 2h IP44<br>housing material: PA6<br>rated current: 32A<br>number of poles: 3 (2P+PE)<br>clock-position: 2h<br>rated voltage/frequency: >50V~ / 300-500Hz<br>contacts: brass nickel plated<br>connection technology: screw terminals<br>cable entry: top and rear<br>inc. threaded cable grommet<br>IP protection class: IP44 |
| country of origin   | AT  |
| customs number      | 85366990  |

|                           |                              |
|---------------------------|------------------------------|
| ETIM 7.0                  | EC001321                     |
| Model                     | Surface mounted (plaster)    |
| IEC-amperage              | 32 A                         |
| Number of poles           | 3                            |
| Voltage acc. EN 60309-2   | 50-500 V (>300-500 Hz) green |
| Clock hour position       | 2 h                          |
| Identification colour     | Green                        |
| RAL-number                |                              |
| Degree of protection (IP) | IP44                         |
| Connection system         | Screw terminal               |
| Cable entry               | Swivel                       |
| Material                  | Plastic                      |
| Contact material          | CuZn                         |
| Surface finish contacts   | Nickel-plated                |
| Type of fastening         | Inner lying mounting         |

|                    |                        |
|--------------------|------------------------|
| wire flexible      | 2,5-6 mm <sup>2</sup>  |
| wire solid         | 2,5-10 mm <sup>2</sup> |
| contact screws     | 110 Ncm                |
| dismantling length | 50 mm                  |
| stripping length   | 12-14 mm               |



b=Höhe/height  
Neigung/angle=15°



[www.manufacturer-safety.info](http://www.manufacturer-safety.info)