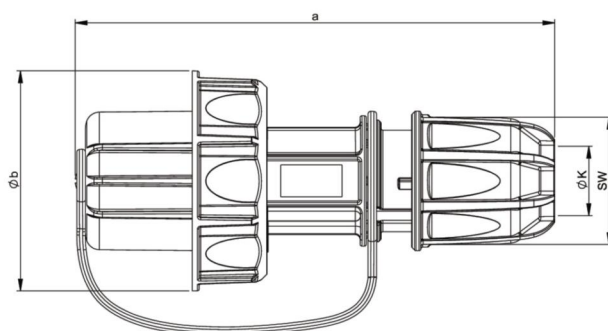
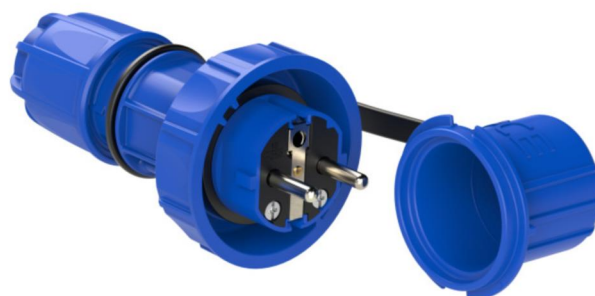


PCE data sheet

article#	20051-b
article description	Plug with protection cap IP68
description long	
GTIN (EAN)	9003399244391
country of origin	AT
customs number	85366990
net weight	0.120 kg
packaging quantity	10

ETIM 7.0	EC000242
Model	Protective contact (SCHUKO)
Material	Plastic
Material quality	Thermoplastic
For heavy conditions (in accordance with VDE)	True
Degree of protection (IP)	IP68
Angle of plug	Straight
Connection system	Screwed terminal
Colour	Blue
Number of poles	3
Nominal voltage	16 A
Nominal current	250 V
Protective earth pin round	True

K (cable Ø)	6-19 mm
wire flexible	1-2,5 mm ²
contact screws	100 Ncm
strain relief	400 Ncm
dismantling length	30 mm
stripping length	7 mm



www.manufacturer-safety.info