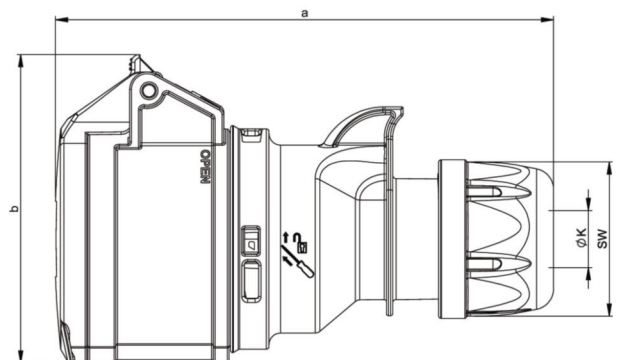


## PCE data sheet

article#	<b>2249-9v</b>
article description	<b>CEE-connector 30A 3P4W 9h IP44 UL</b>
description long	CEE-connector 30A 3P4W 9h IP44 UL (PCE430C9Sv) housing material: PA6 rated current: 32A/30A number of poles: 3P4W (4p) clock position: 9h rated voltage: 250Vac contacts: brass nickel plated connection technology: screw terminals IP protection class: IP44
GTIN (EAN)	9003399509193
country of origin	AT
customs number	85366990
net weight	0.244 kg
packaging quantity	10

ETIM 7.0	EC001320
IEC-amperage	32 A
Amperage acc. UL/CSA (for UL-version)	30 A
Number of poles	4
Clock hour position	9 h
Identification colour	Blue
Degree of protection (IP)	IP44
Connection system	Screwed terminal
Angle of plug	Straight
Cable entry	Swivel
Material	Plastic
Contact material	CuZn
Surface finish contacts	Nickel-plated

a	161 mm
b	94 mm
K (cable Ø)	13,3-19,3 mm
SW	50 mm
wire flexible	2,5-6 mm <sup>2</sup>
contact screws	110 Ncm
strain relief	700 Ncm
dismantling length	50 mm
stripping length	12-14 mm



[www.manufacturer-safety.info](http://www.manufacturer-safety.info)