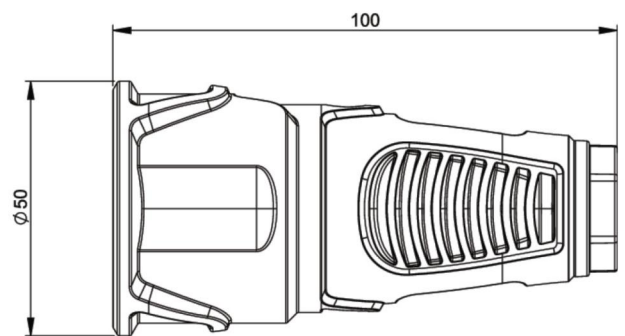


# PCE data sheet

|                        |  |
|------------------------|--|
| article#               | <b>2520-sw</b>   |
| article description    | <b>Taurus2 solid rubber safety connector nat IP20 (black/white)</b>  |
| description long       | Safety connector series Taurus2 - solid rubber color (housing/ring): black/white material (housing/contact carrier): TPE/TPE earthing system: Austrian/German 16A / 250V AC / 3p (2P+E), protection rating: IP20 |
| GTIN (EAN)             | 9003399479731  |
| country of origin      | AT   |
| customs number         | 85366990   |
| packaging quantity     | 20   |
| minimum order quantity | 200  |

|   |                             |
|---|-----------------------------|
| ETIM 7.0                                      | EC001327                    |
| Model   | Protective contact (SCHUKO) |
| Material                                      | Full rubber                 |
| Material quality                              | Thermoplastic               |
| For heavy conditions (in accordance with VDE) | True                        |
| Degree of protection (IP)                     | IP20                        |
| Angle of plug                                 | Straight                    |
| Connection system                             | Screwed terminal            |
| Colour  | Black                       |
| Number of poles                               | 3                           |
| Nominal voltage                               | 250 V                       |
| Nominal current                               | 16 A                        |

|                    |                       |
|--------------------|-----------------------|
| K (cable Ø)        | 6-13 mm               |
| wire flexible      | 1-2,5 mm <sup>2</sup> |
| contact screws     | 80 Ncm                |
| strain relief      | 110 Ncm               |
| dismantling length | 30 mm                 |
| stripping length   | 7 mm                  |



[www.manufacturer-safety.info](http://www.manufacturer-safety.info)