

PCE data sheet

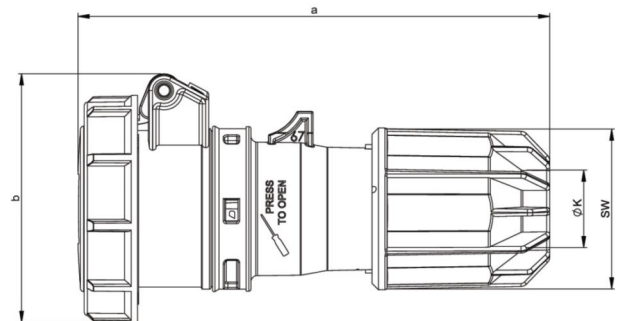
| | |
|------------------------|--|
| article# | 2932-2v |
| article description | CEE-connector 32A 3p 24/42VAC 300Hz IP67 TWIST |
| description long | CEE-connector 32A 3p 24/42VAC 300Hz IP67 TWIST housing material: PA6 rated current: 32A number of poles: 3 (3P) clock-position: 2h rated voltage/frequency: 24/42V~ / 300Hz contacts: brass nickel plated connection technology: screw terminals IP protection class: IP67 |
| GTIN (EAN) | 9003399206856 |
| country of origin | AT |
| customs number | 85366990 |
| net weight | 0.214 kg |
| packaging quantity | 10 |
| minimum order quantity | 10 |



| | |
|---------------------------|----------------------------------|
| ETIM 7.0 | EC001320 |
| IEC-amperage | 32 A |
| Number of poles | 3 |
| Voltage acc. EN 60309-2 | 20-25 V / 40-50 V (300 Hz) green |
| Clock hour position | 2 h |
| Degree of protection (IP) | IP67 |
| Connection system | Schraubklemme |
| Angle of plug | Straight |
| Cable entry | Verschraubung |
| Material | Plastic |



| | |
|--------------------|----------------------|
| a | 150 mm |
| b | 78 mm |
| K (cable Ø) | 9,5-24 mm |
| SW | 48 mm |
| wire flexible | 1-10 mm ² |
| contact screws | 160 Ncm |
| strain relief | 600 Ncm |
| dismantling length | 70 mm |
| stripping length | 14-16 mm |



www.manufacturer-safety.info