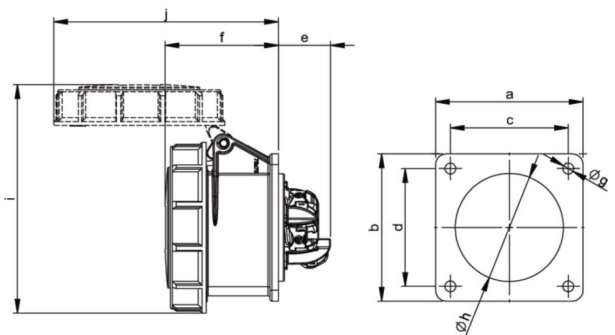


PCE data sheet

article#	3242-9ttv
article description	CEE-flanged socket straight (75x75mm) 32A 4p 9h IP67 TT
description long	CEE-flanged socket straight (75x75mm) 32A 4p 9h IP67 TT housing material: PA6 rated current: 32A number of poles: 4 (3P+PE) clock-position: 9h rated voltage/frequency: 200-250V~ / 50+60Hz contacts: brass nickel plated connection technology: screwless terminals (TT) dimensions (flange/fixing center): 75x75 mm / 60x60 mm IP protection class: IP67
country of origin	AT
customs number	85366990

ETIM 7.0	EC001317
IEC-amperage	32 A
Voltage acc. EN 60309-2	200-250 V (50+60 Hz) blue
Number of poles	4
Clock hour position	9
Identification colour	Blue
Degree of protection (IP)	IP67
Connection system	Screw less terminal
Angle of plug	Straight
Material	Plastic
Contact material	CuZn
Surface finish contacts	Nickel-plated
Flange size vertical	75 mm
Drill hole distance vertical	60 mm
Flange size horizontal	75 mm
Drill hole distance horizontal	60 mm

wire flexible	2,5-6 mm ²
wire solid	2,5-10 mm ²
dismantling length	50 mm
stripping length	12-14 mm



www.manufacturer-safety.info