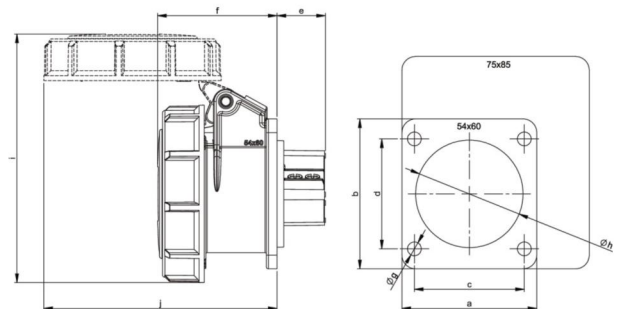


## PCE data sheet

|                        |  |
|------------------------|--|
| article#               | <b>3732f9v</b>   |
| article description    | <b>CEE-flanged socket straight 54x60mm 32A 3p<br/>24VAC 50/60Hz IP66/IP67 TWIST</b>  |
| description long       | CEE-flanged socket straight 54x60mm 32A 3p<br>24VAC 50/60Hz IP66/IP67 TWIST<br>housing material: PA6<br>rated current: 32A<br>number of poles: 3 (3P)<br>rated voltage/frequency: 24V~ / 50+60Hz<br>contacts: brass nickel plated<br>connection technology: screw terminals<br>dimensions (flange/fixing center): 54x60 mm /<br>44x44 mm<br>IP protection class: IP66/IP67 |
| GTIN (EAN)             | 9003399363146  |
| country of origin      | AT   |
| customs number         | 85366990   |
| net weight             | 0.137 kg   |
| packaging quantity     | 10   |
| minimum order quantity | 10   |

|                                |                           |
|--------------------------------|---------------------------|
| ETIM 7.0                       | EC001317                  |
| IEC-amperage                   | 32 A                      |
| Voltage acc. EN 60309-2        | 20-25 V (50+60 Hz) violet |
| Number of poles                | 3                         |
| Degree of protection (IP)      | IP67                      |
| Connection system              | Schraubklemme             |
| Angle of plug                  | Straight                  |
| Material                       | Plastic                   |
| Flange size vertical           | 60 mm                     |
| Drill hole distance vertical   | 44 mm                     |
| Flange size horizontal         | 54 mm                     |
| Drill hole distance horizontal | 44 mm                     |

|                    |                        |
|--------------------|------------------------|
| wire flexible      | 1-10 mm <sup>2</sup>   |
| wire solid         | 1,5-10 mm <sup>2</sup> |
| contact screws     | 160 Ncm                |
| dismantling length | 70 mm                  |
| stripping length   | 14-16 mm               |



[www.manufacturer-safety.info](http://www.manufacturer-safety.info)