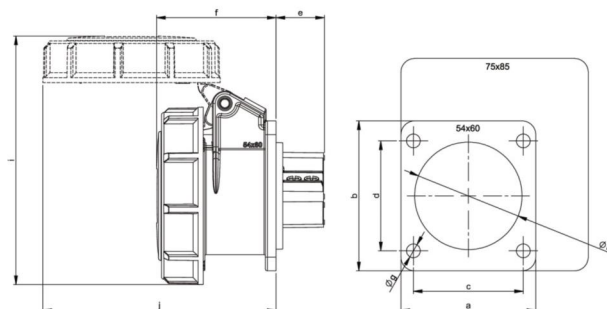


PCE data sheet

article#	3932-11f9v
article description	CEE-flanged socket straight 54x60mm 32A 3p 24/42VAC >400-500Hz IP66/IP67 TWIST
description long	CEE-flanged socket straight 54x60mm 32A 3p 24/42VAC >400-500Hz IP66/IP67 TWIST housing material: PA6 rated current: 32A number of poles: 3 (3P) clock-position: 11h rated voltage/frequency: 24/42V~ / >400-500Hz contacts: brass nickel plated connection technology: screw terminals dimensions (flange/fixing center): 54x60 mm / 44x44 mm IP protection class: IP66/IP67
country of origin	AT
customs number	85366990
packaging quantity	10
minimum order quantity	10

ETIM 7.0	EC001317
IEC-amperage	32 A
Voltage acc. EN 60309-2	20-25 V / 40-50 V (>400-500 Hz) green
Number of poles	3
Clock hour position	11 h
Identification colour	Green
Degree of protection (IP)	IP67
Connection system	Schraubklemme
Angle of plug	Straight
Material	Plastic
Flange size vertical	60 mm
Drill hole distance vertical	44 mm
Flange size horizontal	54 mm
Drill hole distance horizontal	44 mm

wire flexible	1-10 mm ²
wire solid	1,5-10 mm ²
contact screws	160 Ncm
dismantling length	70 mm
stripping length	14-16 mm



www.manufacturer-safety.info