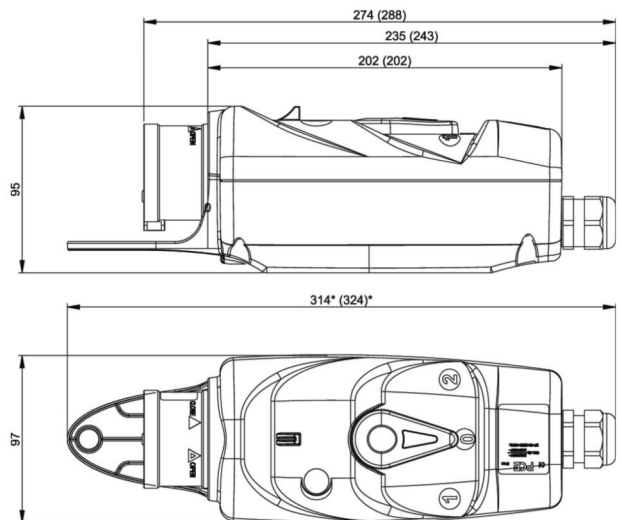


# PCE data sheet

article#	<b>54015610</b>
article description	<b>CEE-plug with switch (REVERSING) 16A 5p 6h IP44</b>
description long	CEE-plug with switch (REVERSING) 16A 5p 6h IP44 housing material: PC/ABS rated current: 16A number of poles: 5 (3P+N+PE) clock-position: 6h rated voltage/frequency: 200/346V~ - 240/415V~ / 50+60Hz contacts: brass nickel plated connection technology: screw terminals rotary lever inverse switch (AC22A 10kA) (I-O-I), without display cable gland: M25 IP protection class: IP44
GTIN (EAN)	9003399844270
country of origin	AT
customs number	85366990
net weight	0.596 kg
packaging quantity	1

ETIM 7.0	EC000452
Type of control element	Rotary toggle
Phase inverter	False
Phase sequence monitoring	False
Colour plug	Red
Colour housing	Grey
Rated voltage	400 V
Rated permanent current Iu	16 A



[www.manufacturer-safety.info](http://www.manufacturer-safety.info)