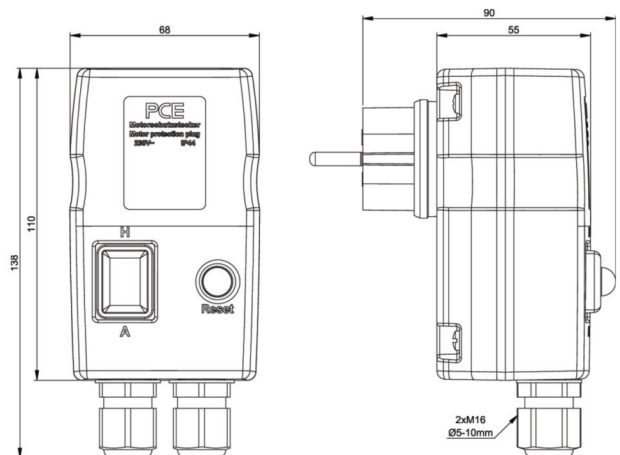


PCE data sheet

| | |
|---------------------|----------------------------------------------------------------------------------------------------------------------------------------------------------------------------------------------------------------------------------------------------------------------------------------------------------------------------------------------------------------------------------------------------------------------|
| article# | 56103001 |
| article description | Motor protection plug (nat) 3A 230V IP44 (I-0-II) |
| description long | Motor protection plug (nat) 3A 230V IP44 (I-0-II) housing material: PC/ABS rated current: 16A number of poles: 3 (2P+PE) rated voltage/frequency: 230V~ / 50+60Hz contacts: brass nickel plated connection technology: screw terminals Schalter: HAND-OFF-AUTO (I-0-II) 2x cable glands M16, for use of external float switch IK-standard acc. EN50102: IK09 IP protection class: IP44 |
| GTIN (EAN) | 9003399665387 |
| country of origin | AT |
| customs number | 85366990 |
| net weight | 0.202 kg |
| packaging quantity | 2 |

| | |
|----------------------------|--------------------|
| ETIM 7.0 | EC000452 |
| Type of motor protection | Thermal release |
| Type of control element | Push button switch |
| Adjustable current range | 3 A |
| Colour housing | Grey |
| Rated voltage | 230 V |
| Rated permanent current lu | 3 A |



www.manufacturer-safety.info