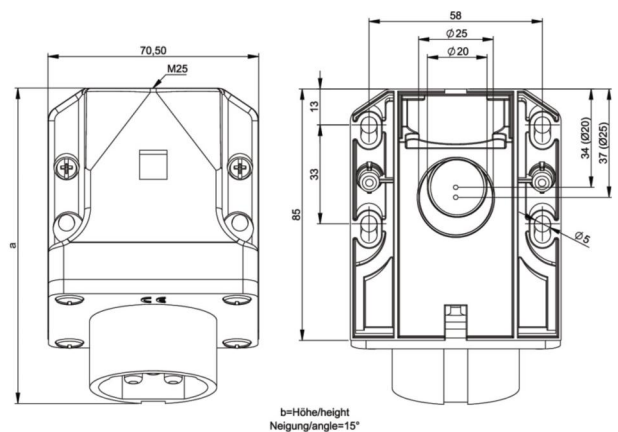


## PCE data sheet

article#	<b>562v</b>
article description	<b>CEE-wall mounted plug 16A 2p 24VAC 50/60Hz IP44 TWIST</b>
description long	CEE-wall mounted plug 16A 2p 24VAC 50/60Hz IP44 TWIST housing material: PA6 rated current: 16A number of poles: 2 (2P) rated voltage/frequency: 24V~ / 50+60Hz contacts: brass nickel plated connection technology: screw terminals IP protection class: IP44
GTIN (EAN)	9003399063039
country of origin	AT
customs number	85366990
net weight	0.182 kg
packaging quantity	10
minimum order quantity	10

ETIM 7.0	EC001319
IEC-amperage	16 A
Voltage acc. EN 60309-2	20-25 V (50+60 Hz) violet
Number of poles	2
Degree of protection (IP)	IP44
Connection system	Screwed terminal
Construction type	Surface mounted plug
Angle of plug	Angled
Material	Plastic

a	106 mm
wire flexible	4-10 mm <sup>2</sup>
wire solid	4-10 mm <sup>2</sup>
contact screws	110 Ncm
dismantling length	70 mm
stripping length	14-16 mm



[www.manufacturer-safety.info](http://www.manufacturer-safety.info)