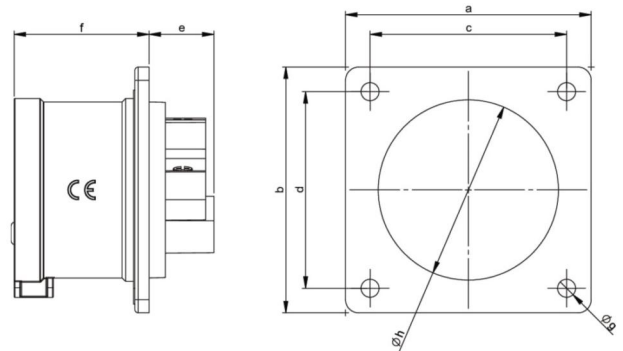


PCE data sheet

article#	625-1f7v
article description	CEE-flanged plug 75x75 straight 32A 5p 1h IP44
description long	CEE-flanged plug 75x75 straight 32A 5p 1h IP44 housing material: PA6 rated current: 32A number of poles: 5 (3P+N+PE) clock-position: 1h rated voltage/frequency: >50V / others contacts: brass nickel plated connection technology: screw terminals dimensions (flange/fixing center): 75x75 mm / 60x60 mm IP protection class: IP44
country of origin	AT
customs number	85366990
packaging quantity	10
minimum order quantity	10

ETIM 8.0	EC001319
IEC-amperage	32 A
Voltage acc. EN 60309-2	Other
Number of poles	5
Clock hour position	1 h
Identification colour	Grey
Degree of protection (IP)	IP44
Connection system	Screwed terminal
Construction type	Built-up device plug
Angle of plug	Straight
Material	Plastic
Contact material	CuZn
Surface finish contacts	Nickel-plated

wire flexible	2,5-6 mm ²
wire solid	2,5-10 mm ²
contact screws	110 Ncm
dismantling length	50 mm
stripping length	12-14 mm



<https://www.pcelectric.at/shop/en/?func=detail&artnr=625-1f7v>



www.manufacturer-safety.info