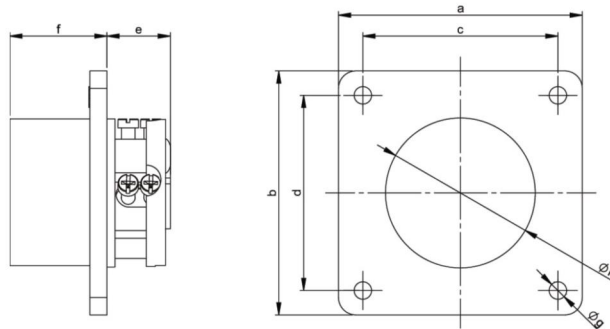


# PCE data sheet

article#	<b>682-11v</b>
article description	<b>CEE-flanged plug straight 70x70mm 16A 2p 24/42VAC &gt;400-500Hz IP44 TWIST</b>
description long	CEE-flanged plug straight 70x70mm 16A 2p 24/42VAC >400-500Hz IP44 TWIST housing material: PA6 rated current: 16A number of poles: 2 (2P) clock-position: 11h rated voltage/frequency: 24/42V~ / >400-500Hz contacts: brass nickel plated connection technology: screw terminals dimensions (flange/fixing center): 70x70 mm / 56x56 mm IP protection class: IP44
country of origin	AT
customs number	85366990
packaging quantity	10
minimum order quantity	10

ETIM 7.0	EC001319
IEC-amperage	16 A
Voltage acc. EN 60309-2	20-25 V / 40-50 V (>400-500 Hz) green
Number of poles	2
Clock hour position	11 h
Identification colour	Green
Degree of protection (IP)	IP44
Connection system	Schraubklemme
Construction type	Built-up device plug
Angle of plug	Straight
Material	Plastic

wire flexible	4-10 mm <sup>2</sup>
wire solid	4-10 mm <sup>2</sup>
contact screws	110 Ncm
dismantling length	70 mm
stripping length	14-16 mm



[www.manufacturer-safety.info](http://www.manufacturer-safety.info)