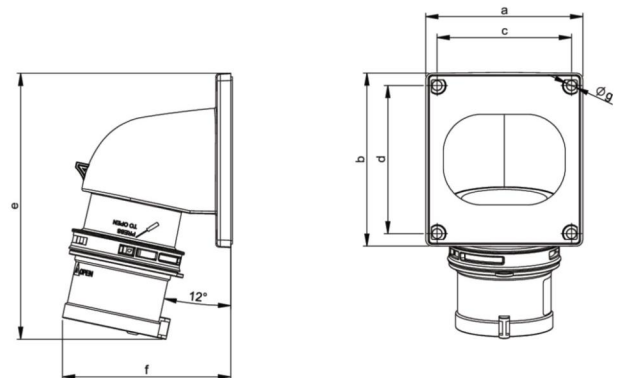


PCE data sheet

article#	77713-1
article description	CEE-flanged plug angled 16A 3p 1h IP44
description long	CEE-flanged plug angled 16A 3p 1h IP44 housing material: PC/ABS rated current: 16A number of poles: 3 (2P+PE) clock-position: 1h rated voltage/frequency: >50V / others contacts: brass connection technology: screw terminals IP protection class: IP44
GTIN (EAN)	9003399479083
country of origin	AT
customs number	85366990
net weight	0.126 kg
packaging quantity	10
minimum order quantity	10

ETIM 8.0	EC001319
IEC-amperage	16 A
Voltage acc. EN 60309-2	Other
Number of poles	3
Clock hour position	1 h
Identification colour	Grey
Degree of protection (IP)	IP44
Connection system	Screwed terminal
Construction type	Built-up device plug
Angle of plug	Angled
Material	Plastic
Contact material	CuZn
Surface finish contacts	Untreated

wire flexible	1-2,5 mm ²
wire solid	1-4 mm ²
contact screws	100 Ncm
dismantling length	50 mm
stripping length	10-12 mm



<https://www.pcelectric.at/shop/en/?func=detail&artnr=77713-1>



www.manufacturer-safety.info