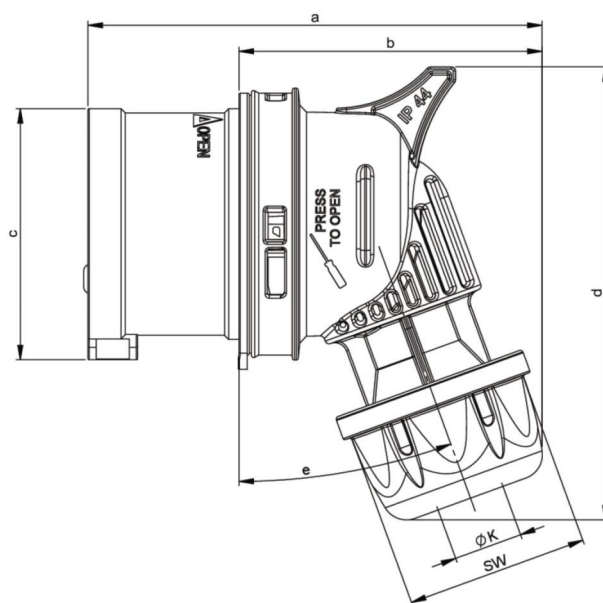


## PCE data sheet

article#	<b>8023-6</b>
article description	<b>CEE angled plug 32A 3p 6h IP44 TWIST</b>
description long	CEE angled plug 32A 3p 6h IP44 TWIST housing material: PC/ABS rated current: 32A number of poles: 3 (2P+PE) clock-position: 6h rated voltage/frequency: 200-250V~ / 50+60Hz contacts: brass connection technology: screw terminals IP protection class: IP44
GTIN (EAN)	9003399333187
country of origin	AT
customs number	85366990
net weight	0.174 kg
packaging quantity	10
minimum order quantity	10

ETIM 8.0	EC000140
IEC-amperage	32 A
Number of poles	3
Voltage acc. EN 60309-2	230 V (50+60 Hz) blue
Clock hour position	6 h
Identification colour	Blue
Degree of protection (IP)	IP44
Connection system	Screwed terminal
Cable entry	Swivel
Angle of plug	Angled
Material	Plastic
Contact material	CuZn
Surface treatment contacts	Untreated

a	125 mm
b	80 mm
c	63 mm
d	110 mm
e	25 °
K (cable Ø)	11,5-20 mm
SW	50 mm
wire flexible	2,5-6 mm <sup>2</sup>
contact screws	110 Ncm
strain relief	600 Ncm
dismantling length	50 mm
stripping length	12-14 mm



<https://www.pcelectric.at/shop/en/?func=detail&artnr=8023-6>



[www.manufacturer-safety.info](http://www.manufacturer-safety.info)