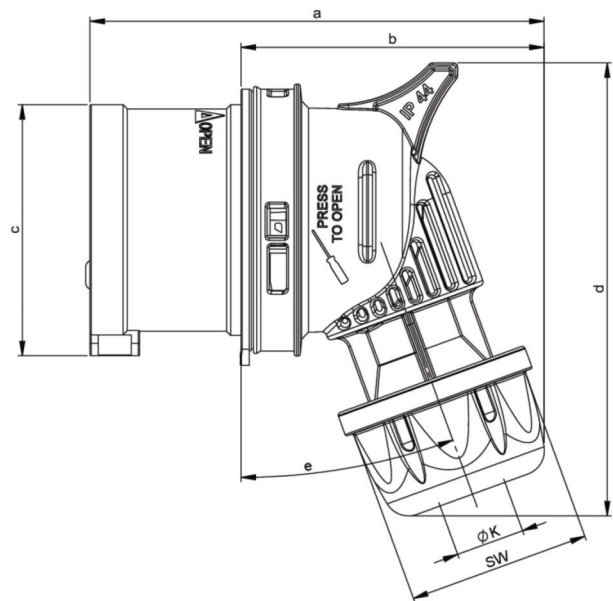


PCE data sheet

| | |
|------------------------|--|
| article# | 8023-6ttv |
| article description | CEE angled plug 32A 3p 6h IP44 TT TWIST |
| description long | CEE angled plug 32A 3p 6h IP44 TT TWIST housing material: PC/ABS rated current: 32A number of poles: 3 (2P+PE) clock-position: 6h rated voltage/frequency: 200-250V~ / 50+60Hz contacts: brass nickel plated connection technology: screwless terminals (TT) IP protection class: IP44 |
| country of origin | AT |
| customs number | 85366990 |
| packaging quantity | 10 |
| minimum order quantity | 10 |

| | |
|----------------------------|-----------------------|
| ETIM 8.0 | EC000140 |
| IEC-amperage | 32 A |
| Number of poles | 3 |
| Voltage acc. EN 60309-2 | 230 V (50+60 Hz) blue |
| Clock hour position | 6 h |
| Identification colour | Blue |
| Degree of protection (IP) | IP44 |
| Connection system | Screw less terminal |
| Cable entry | Swivel |
| Angle of plug | Angled |
| Material | Plastic |
| Contact material | CuZn |
| Surface treatment contacts | Nickel-plated |

| | |
|--------------------|-----------------------|
| a | 125 mm |
| b | 80 mm |
| c | 63 mm |
| d | 110 mm |
| e | 25 ° |
| K (cable Ø) | 11,5-20 mm |
| SW | 50 mm |
| wire flexible | 2,5-6 mm ² |
| strain relief | 600 Ncm |
| dismantling length | 50 mm |
| stripping length | 12-14 mm |



<https://www.pcelectric.at/shop/en/?func=detail&artnr=8023-6ttv>



www.manufacturer-safety.info