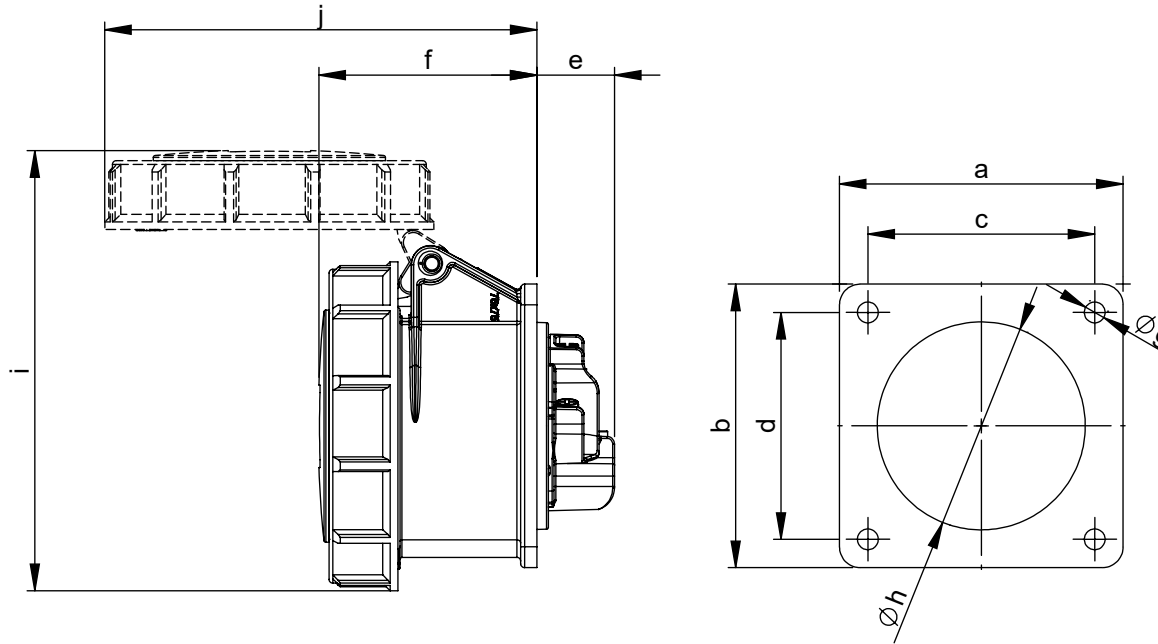


Maßskizze / dimensional drawing

Benennung: Anbausteckdose gerade IP67 75x75 UL

description: Flanged socket straight IP67 75x75 UL

Teilenummer / part number: 31392-*, 31492-*, 31592-*, 32392-*, 32492-*, 32592-*



Ampere	20			30		
Poles	2P3W (3p)	3P4W (4p)	4P5W (5p)	2P3W (3p)	3P4W (4p)	4P5W (5p)
a x b [mm] / [inch]	75 / 2.95					
c x d [mm] / [inch]	60 / 2.36					
e [mm] / [inch]	21 / 0.83	21 / 0.83	21 / 0.83	23 / 0.91	23 / 0.91	23 / 0.91
f [mm] / [inch]	56 / 2.20	57 / 2.24	59 / 2.32	69 / 2.72	69 / 2.72	71 / 2.80
g [mm] / [inch]	5.5 / 0.22					
h [mm] / [inch]	43 / 1.69	45 / 1.77	55 / 2.17	55 / 2.17	55 / 2.17	58 / 2.28
i [mm] / [inch]	102 / 4.02	108 / 4.25	117 / 4.61	122 / 4.80	122 / 4.80	130 / 5.12
j [mm] / [inch]	101 / 3.98	109 / 4.29	115 / 4.53	130 / 5.12	130 / 5.12	136 / 5.35