

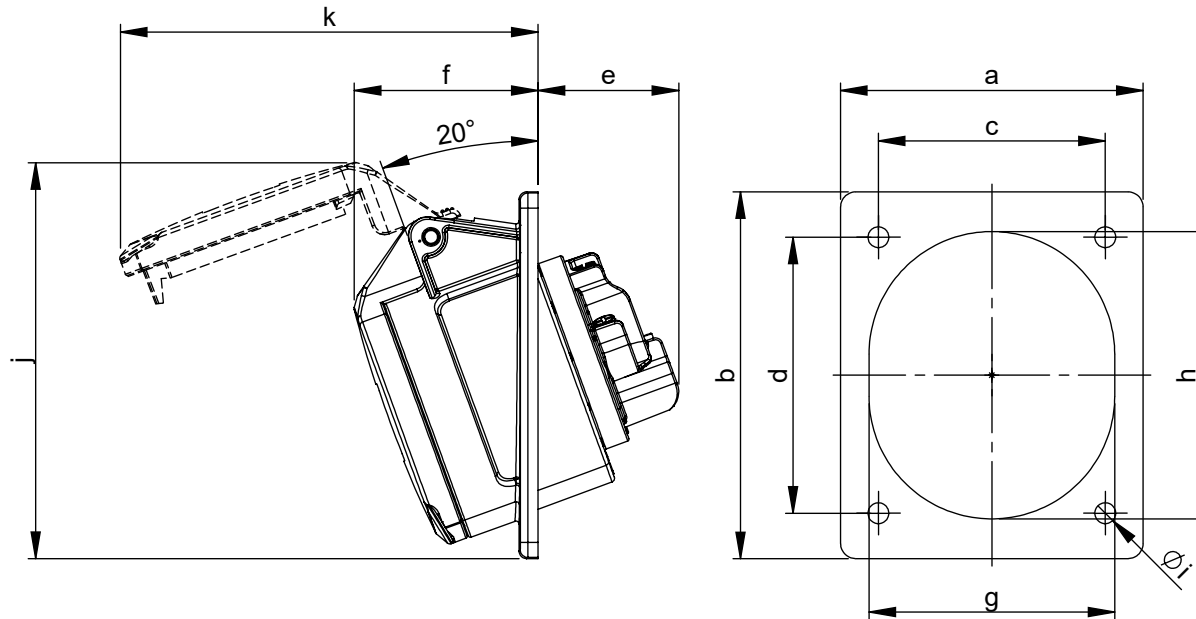
## Maßskizze / dimensional drawing

Benennung: Anbausteckdose schräg IP44 80x97 UL

description: Flanged socket sloping IP44 80x97 UL

Teilenummer / part number: 4139-\*f8, 4149-\*f8, 4159-\*, 4239-\*, 4249-\*, 4259-\*

PCE



Ampere	20			30		
Poles	2P3W (3p)	3P4W (4p)	4P5W (5p)	2P3W (3p)	3P4W (4p)	4P5W (5p)
a [mm] / [inch]			80 / 3.15			
b [mm] / [inch]			97 / 3.82			
c [mm] / [inch]			60 / 2.36			
d [mm] / [inch]			73 / 2.87			
e [mm] / [inch]	38 / 1.49	38 / 1.49	38 / 1.49	48 / 1.89	48 / 1.89	48 / 1.89
f [mm] / [inch]	47 / 1.85	47 / 1.85	49 / 1.93	54 / 2.13	54 / 2.13	55 / 2.17
g [mm] / [inch]	51 / 2.01	56 / 2.20	65 / 2.56	65 / 2.56	65 / 2.56	70 / 2.76
h [mm] / [inch]	61 / 2.40	67 / 2.64	76 / 2.99	75 / 2.95	75 / 2.95	80 / 3.15
i [mm] / [inch]			5.5 / 0.22			
j [mm] / [inch]	97 / 3.82	103 / 4.06	105 / 4.13	105 / 4.13	105 / 4.13	99 / 3.90
k [mm] / [inch]	99 / 3.90	104 / 4.09	111 / 4.37	119 / 4.69	119 / 4.69	130 / 5.12